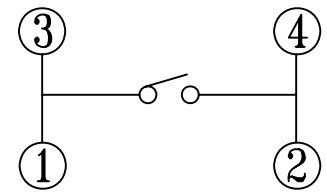
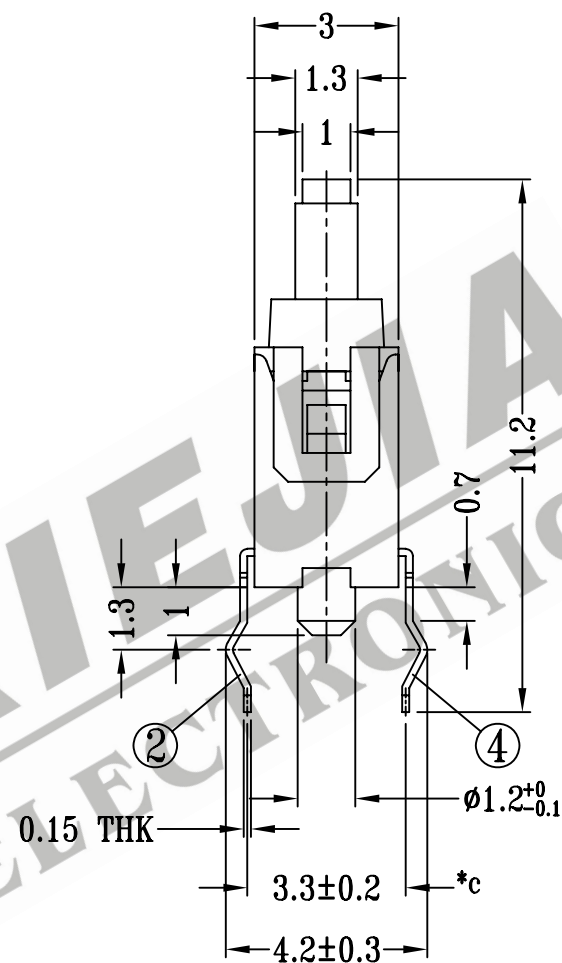
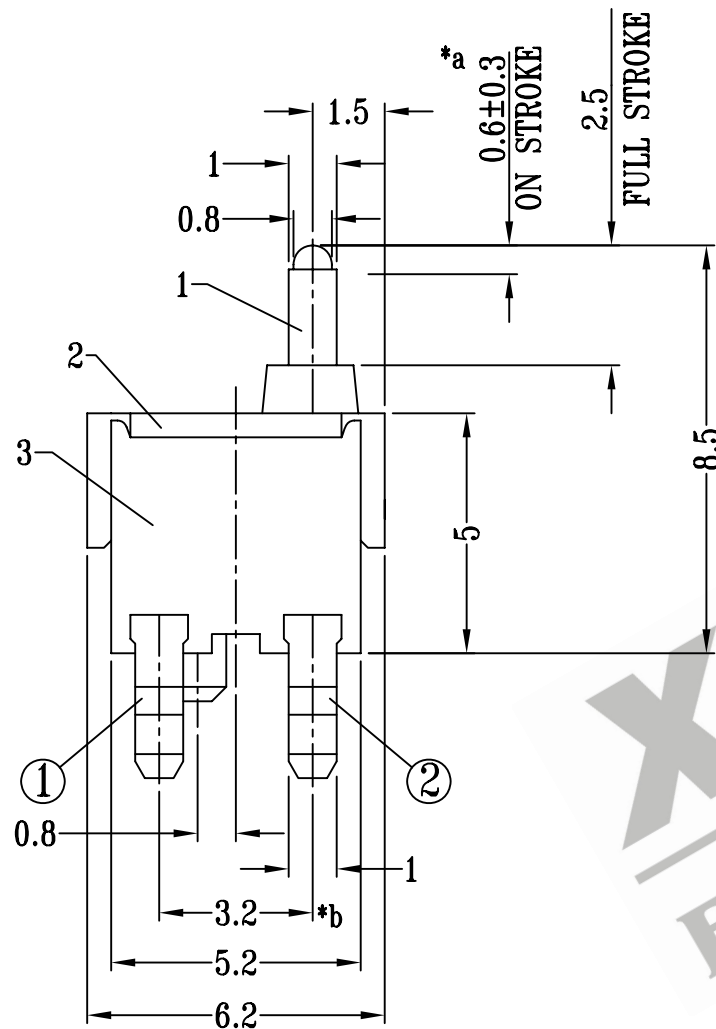
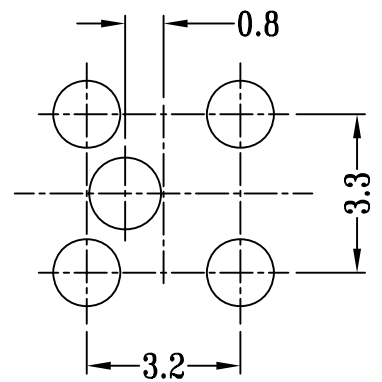


CAD FILE:



SCHMATIC



P.C.B LAYOUT

注:带*表示关键尺寸(3个)

8					TOLERANCE	SHENZHEN XIEJIA ELECTRONICS CO.,LTD.					
7					UNLESS SPECIFIED						
6					WITHIN: 1.5±0.1mm	ISSUE	DATE	DESCRIPTIONS		APPD.	
5					OVER : 1.5±0.2mm						
4	CONTACT	Ti COPPER	1	NATURAL	TITLE : TACT SWITCH			UNIT : MM	DRWG NO.: XJ-DR-TC0031-00		
3	CASE	NYLON+F.G/PBS STRIP	1	BLACK/Ag PLATED OVER Ni PLATED	MODEL: TC-0031			SCALE: 6:1	DWN.	ZHOUYU	2003-11-7
2	COVER	NYLON	1	BLACK	ALL MATERIALS MUST BE COMPLIANT TO ROHS			CHK'D	FANGYING	2003-11-7	
1	KNOB	NYLON	1	BLACK				APPD.	KANGXINAN	2003-11-7	
NO.	PART NAME	MATERIAL	Q'TY	FINISHING							